

AXOR Uno
Freestanding Tub Filler Trim with Zero Handle and 1.75 GPM Handshower
 Finishes : Part no. : **45416001**



Features

- Spray type hand shower: IntenseRain, Full
- Flow: 5.81 GPM (22 L/Min)
- Flow rate of hand shower at 3 bar: 1.75 GPM (6.6 L/Min)
- Ceramic cartridge
- Integrated double backflow prevention

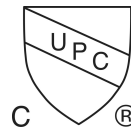
Item details

List Price \$ 2,134.00

Technology



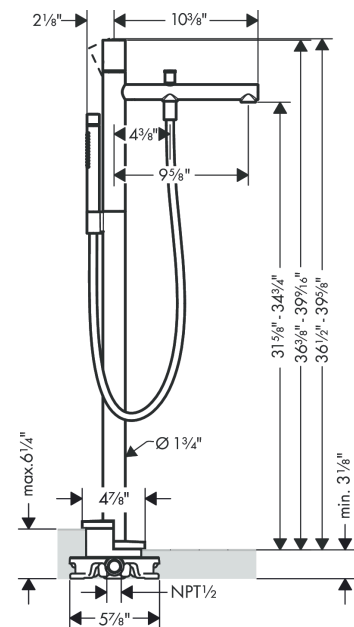
Compliance



Product image



Scale drawing

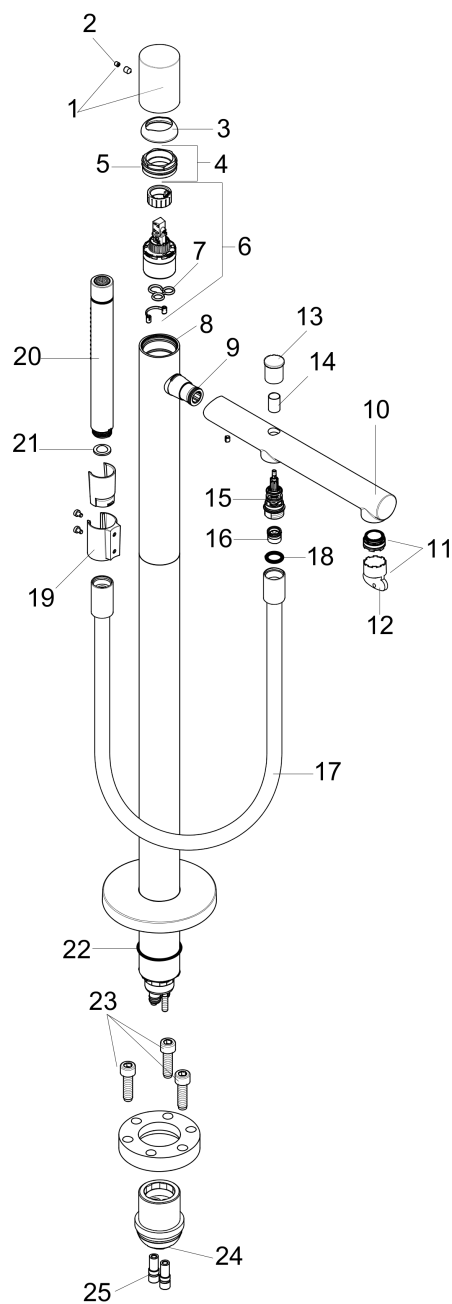


AXOR Uno
Freestanding Tub Filler Trim with Zero Handle and 1.75 GPM Handshower
Finishes : Part no. : **45416001**



Exploded drawing

Year of production: >07/18



AXOR Uno
Freestanding Tub Filler Trim with Zero Handle and 1.75 GPM Handshower
 Finishes : Part no. : **45416001**



Spare parts list

Year of production: >07/18

Pos.		Part no.	Price	PU
1	-	93056000	-	1
2	screw cover	96338000	-	1
3	flange	93057000	-	1
4	nut	92966000	-	1
5	O-ring 33x1,5	98164000	-	1
6	cartridge, assy	92730000	-	1
7	seal	95008000	-	1
8	O-ring 35x2	92604000	-	1
9	O-ring 16x2	98133000	-	1
10	spout cpl.	93061000	-	1
11	aerator M24x1 C	92934000	-	1
12	special tool	95290000	-	1
13	diverter knob	98705000	-	1
14	sleeve	97979000	-	1
15	selector	97978000	-	1
16	set of non return valves DW 15	94074000	-	1
17	shower hose 1,25 m	28282000	-	1
18	seal	98058000	-	1
19	shower holder, assy	96295000	-	1
20	handshower	04486000	-	1
21	filter packing	94246000	-	1
22	O-ring 44x2,5	98162000	-	1
23	hexagon socket screw M10x35	97670000	-	1
24	O-ring 29x3	98371000	-	1
25	O-ring 7x2	98419000	-	1
a	extension set 60 mm	97686000	-	1