

AXOR Uno
Pressure Balance Trim
 Finishes : Part no. : **38418001**



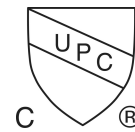
Features

- Temperature and on/off control for 1 outlet
- Flow: 5.44 GPM (20.6 L/Min)
- Integrated bypass for use with diverter tub spouts

Item details

List Price \$ 537.00

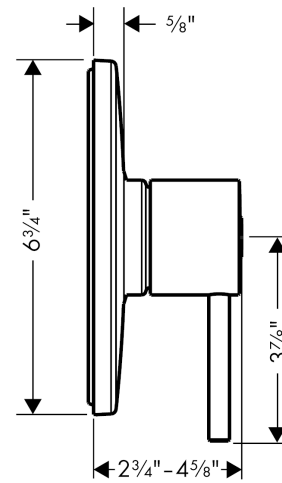
Compliance



Product image



Scale drawing

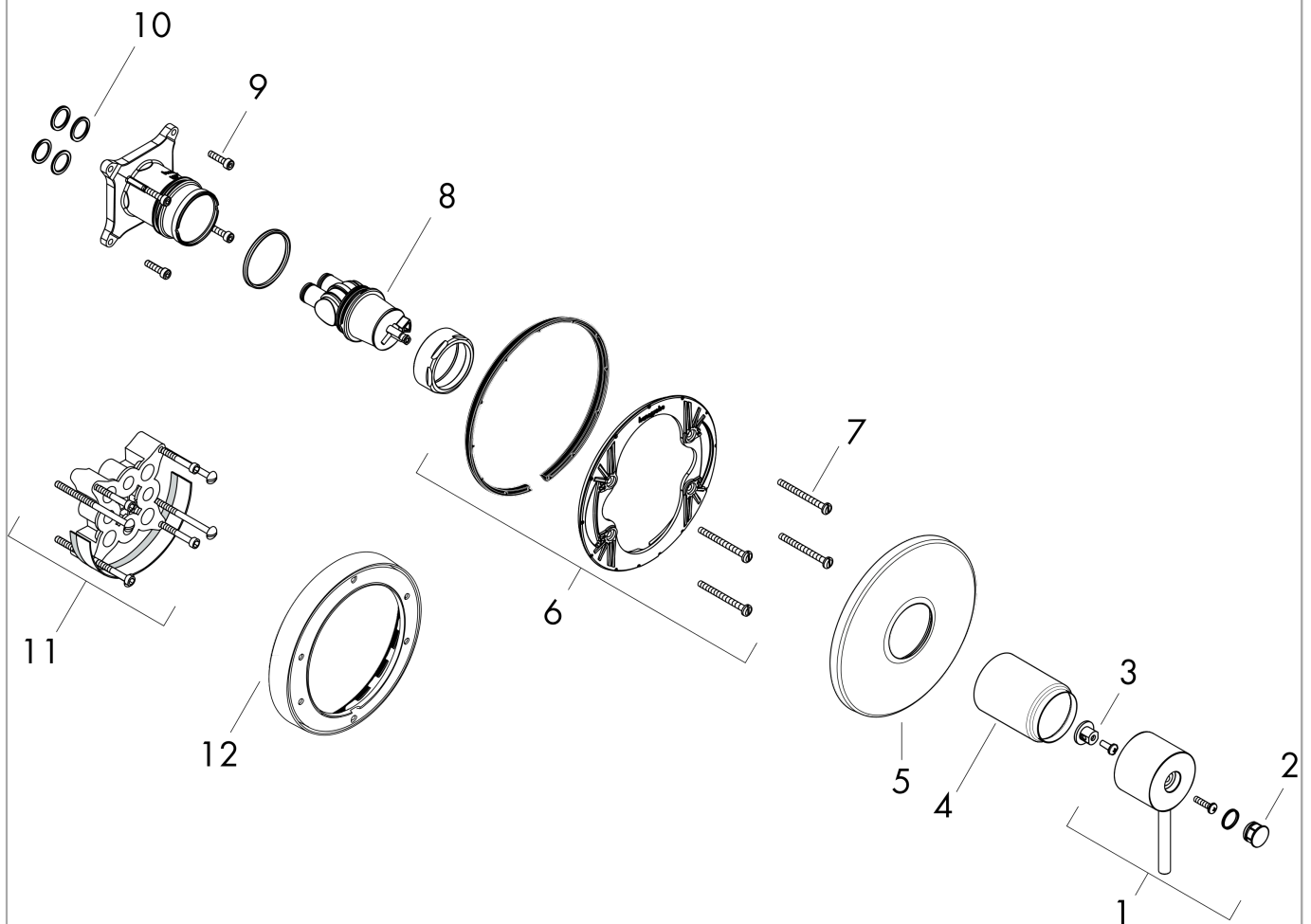


AXOR Uno
Pressure Balance Trim
Finishes : Part no. : **38418001**



Exploded drawing

Year of production: >06/09



AXOR Uno
Pressure Balance Trim
 Finishes : Part no. : **38418001**



Spare parts list

Year of production: >06/09

Pos.		Part no.	Price	PU
1	-	88784000	-	1
2	screw cover	96540001	-	1
3	adapter for handle	92756000	-	1
4	escutcheon	88760000	-	1
5	sleeve	88765000	-	1
6	sub plate	96447000	-	1
7	cartridge, assy	88727000	-	1
8	set of screws	96525000	-	1
9	O-ring 16x2	98133000	-	1
10	extension 25 mm	13595000	-	1
11	extension 22 mm (Ø 170 mm)	13596000	-	1
a	base body	01850181	-	1