

AXOR Starck
Single-Hole Faucet 170, 1.2 GPM
 Finishes : Part no. : **10123001**



Features

- Spray modes: Aerated spray
- Flow: 1.2 GPM (4.5 L/Min)
- Ceramic cartridge
- Does not include: Pop-up assembly

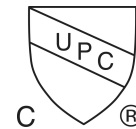
Item details

List Price \$ 1,094.00

Technology



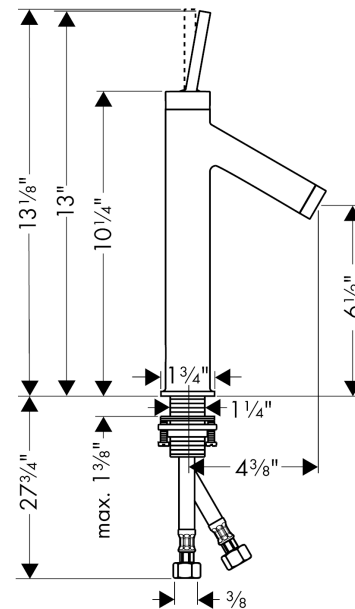
Compliance



Product image



Scale drawing

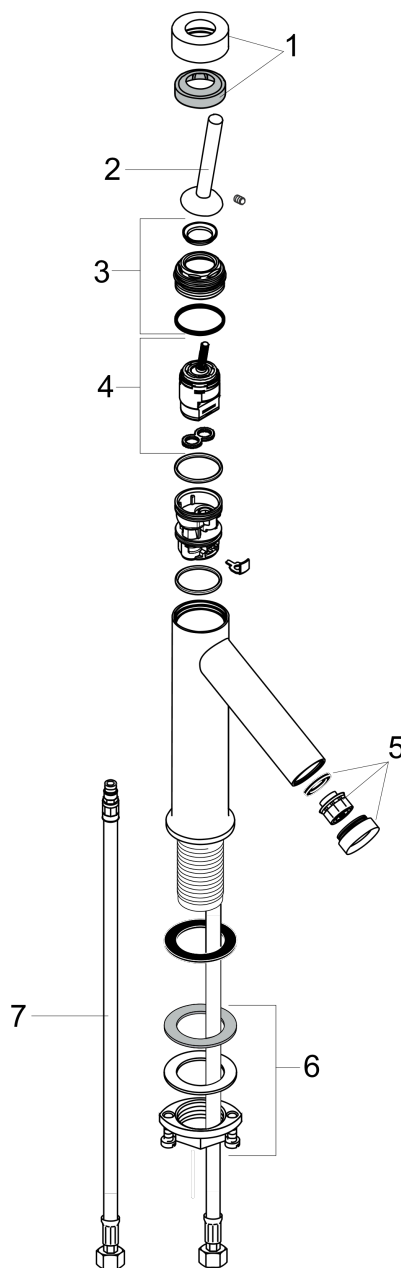


AXOR Starck
Single-Hole Faucet 170, 1.2 GPM
Finishes : Part no. : **10123001**



Exploded drawing

Year of production: >07/16



AXOR Starck
Single-Hole Faucet 170, 1.2 GPM
 Finishes : Part no. : **10123001**



Spare parts list

Year of production: >07/16

Pos.		Part no.	Price	PU
1	flange	97155000	-	1
2	handle	10092000	-	1
3	nut	97157000	-	1
4	cartridge, assy	96339000	-	1
5	aerator M24x1 (4,5 l/min)	92812000	-	1
6	fixing set (Ø 32)	13961000	-	1
7	connection hose 18½" M8x0,75 3/8"	96321001	-	1