

**AXOR Starck**  
**Single-Hole Faucet 250, 1.2 GPM**  
 Finishes : **chrome**    Part no. : **10103001**



### Features

- Spray modes: Aerated spray
- Ceramic cartridge
- Does not include: Pop-up assembly

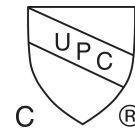
### Item details

List Price \$ 814.00

### Technology



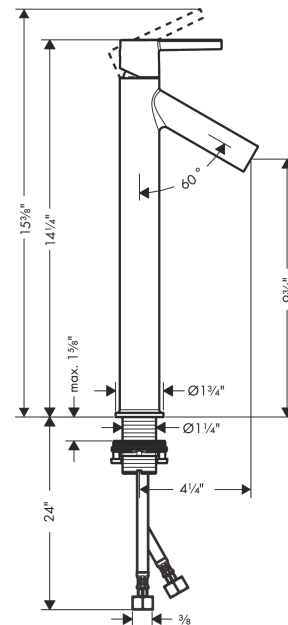
### Compliance



### Product image



### Scale drawing

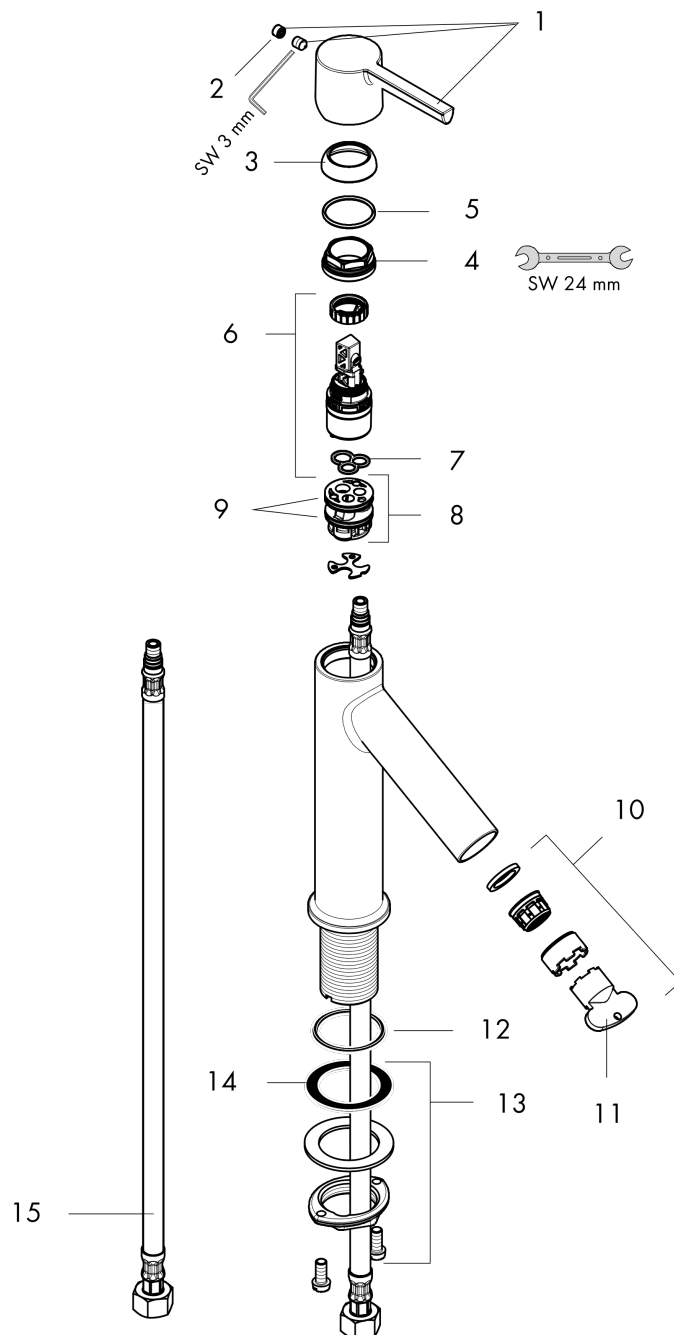


**AXOR Starck**  
**Single-Hole Faucet 250, 1.2 GPM**  
Finishes : **chrome**    Part no. : **10103001**



## Exploded drawing

Year of production: >05/20



**AXOR Starck**  
**Single-Hole Faucet 250, 1.2 GPM**  
 Finishes : **chrome**    Part no. : **10103001**



## Spare parts list

Year of production: >05/20

Pos.		Part no.	Price	PU
1	handle	92385000	-	1
2	screw cover	96762000	-	1
3	flange	98863000	-	1
4	nut	95178000	-	1
5	O-Ring 22x2	98185000	-	1
6	cartridge, assy	95973001	-	1
7	seal	98865000	-	1
8	adapter for cartridge	98866000	-	1
9	O-ring 23x2	98398000	-	1
10	aerator M24x1 (4,5 l/min)	92386001	-	1
11	special tool	95290000	-	1
12	O-ring 34x4	98155000	-	1
13	fixing set (Ø 32)	13961000	-	1
14	lever collar	97548000	-	1
15	connection hose 35½" M8x0,75 3/8"	96316001	-	1