

## Pipe trap standard model for bidet

Surfaces: **Chrome** Article Number: **51315000**



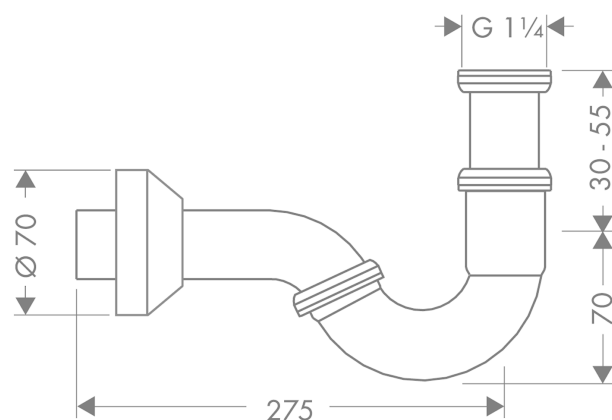
### product features

- adjustment distance 30 - 55 mm
- distance to wall 275 mm
- connection dimension entry: G 1¼

### Product image



### Scale drawing

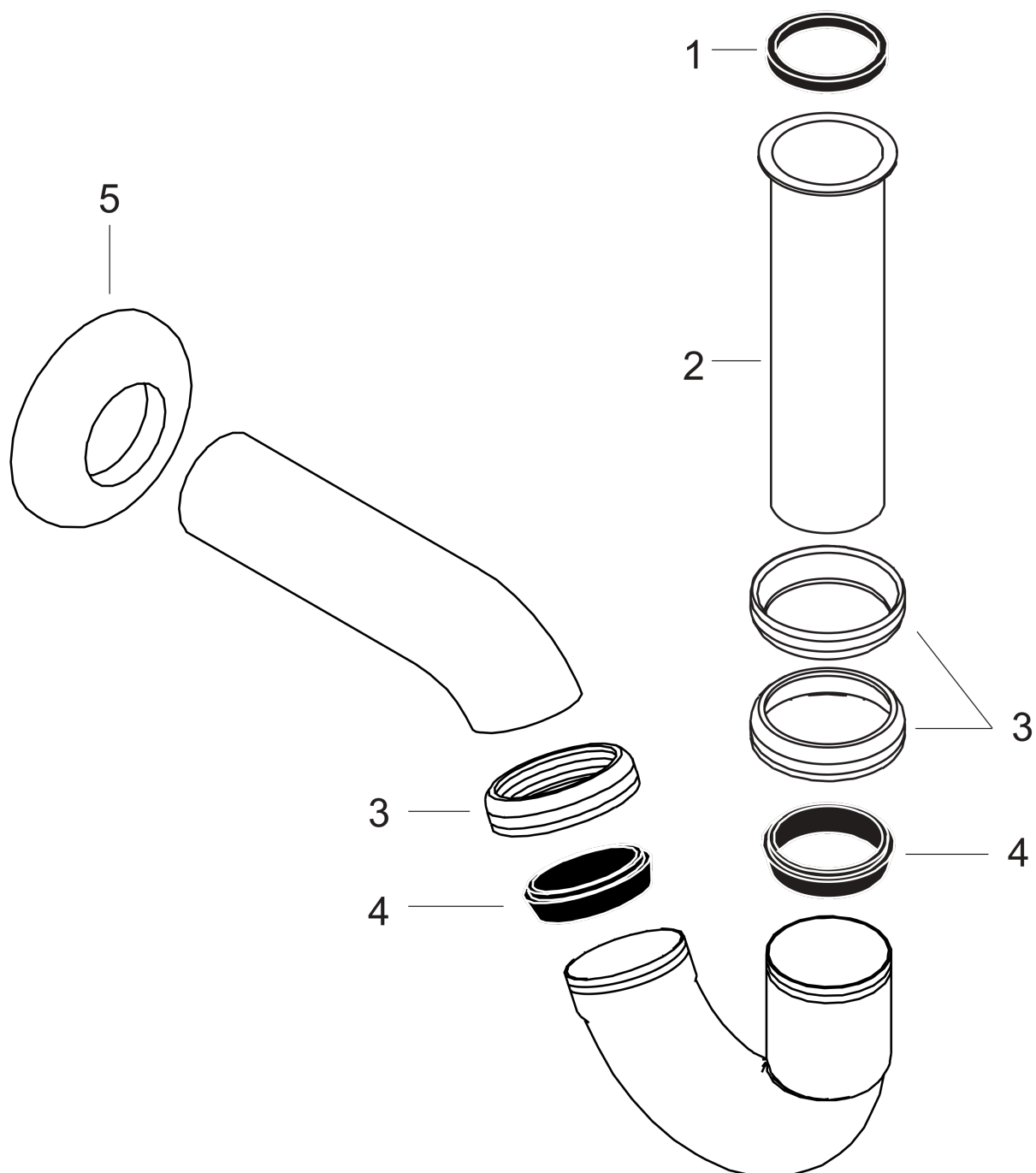


**Pipe trap standard model for bidet**  
Surfaces: **Chrome** Article Number: **51315000**



## Exploded Drawing

Year of production: >10/17



**Pipe trap standard model for bidet**

Surfaces: **Chrome** Article Number: **51315000**



**Spare part list**

Year of production: >10/17

Pos.		Article Number	Price	PU
1	seal 1¼"	53971000	-	1
2	pipe 1¼" 300 mm	53428000	-	1
3	hand nut 1¼"	53951000	-	1
4	wedge-shaped seal 1¼"	53985000	-	1
5	flange 1¼"x65x15	53964000	-	1