

AXOR Uno

Grab bar

Surfaces: **Chrome** Article Number: **41530000**



product features

- material: metal
- length 418 mm
- drilling distance 280 x 170 mm
- wall-mounted
- TÜV certified

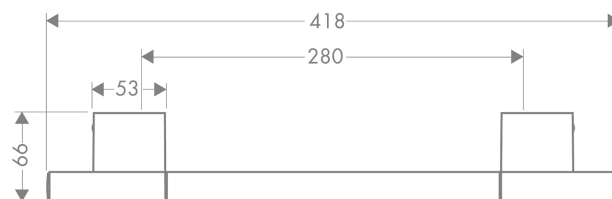
Certificates



Product image



Scale drawing



AXOR Uno

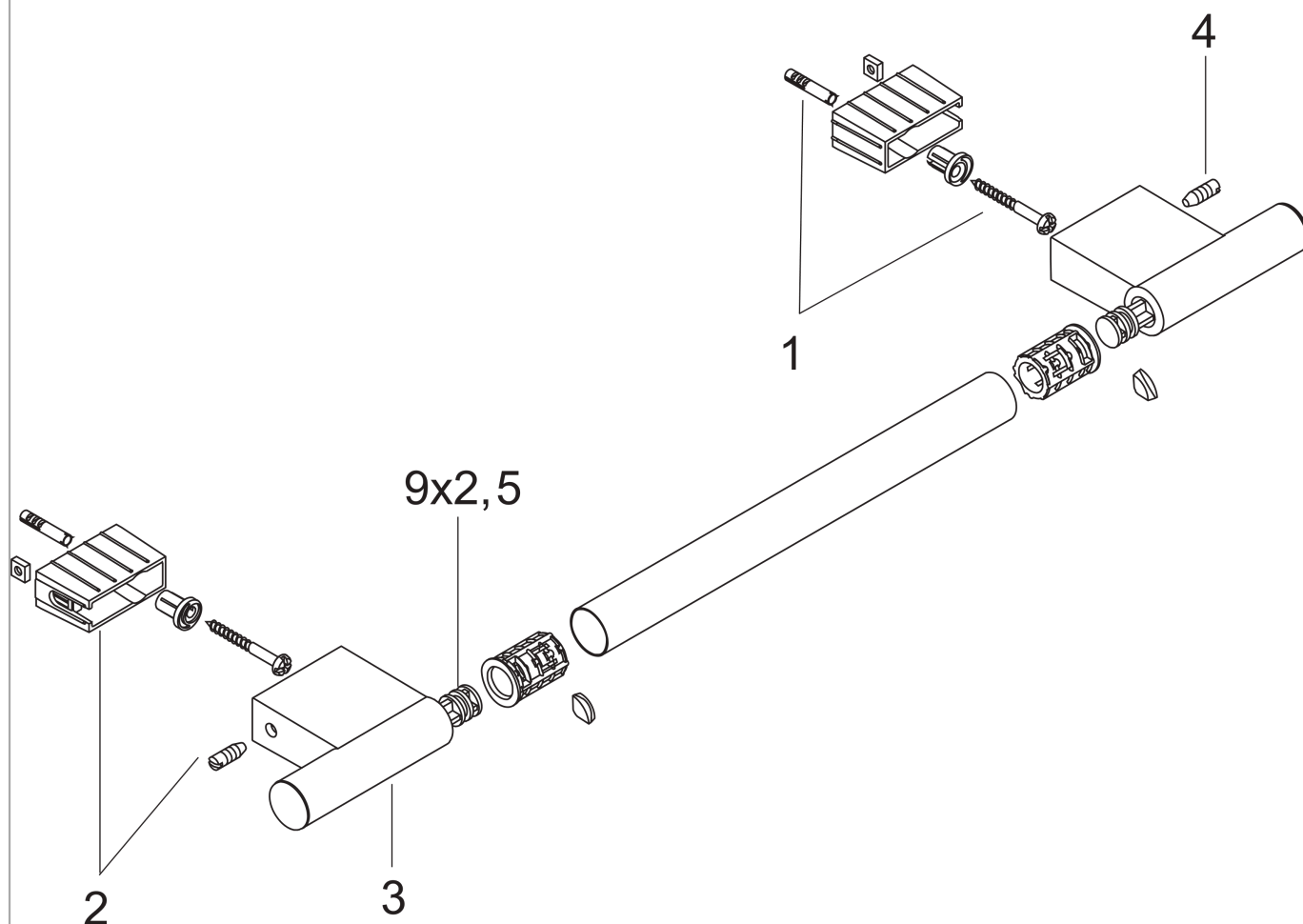
Grab bar

Surfaces: **Chrome** Article Number: **41530000**



Exploded Drawing

Year of production: >04/01



AXOR Uno
Grab bar
 Surfaces: **Chrome** Article Number: **41530000**



Spare part list

Year of production: >04/01

| Pos. | | Article Number | Price | PU |
|------|--------------|----------------|-------|----|
| 1 | mounting set | 40915000 | - | 1 |
| 2 | support cpl. | 96486000 | - | 1 |
| 3 | cover | 96485000 | - | 1 |
| 4 | screw | 97795000 | - | 1 |