

AXOR Universal Accessories

Shelf 300

Surfaces: **Stainless Steel Optic** Article Number: **42838800**



Description

product features

- drilling distance 258 mm
- material: glass, metal
- wall-mounted
- two adapter sets no.42870000 must be used when installing on a rail (for asymmetric installation only one adapter set)
- combinable with roll holder no.42836000 (adapter no.42870000 necessary)
- length 300 mm
- suitable for shower

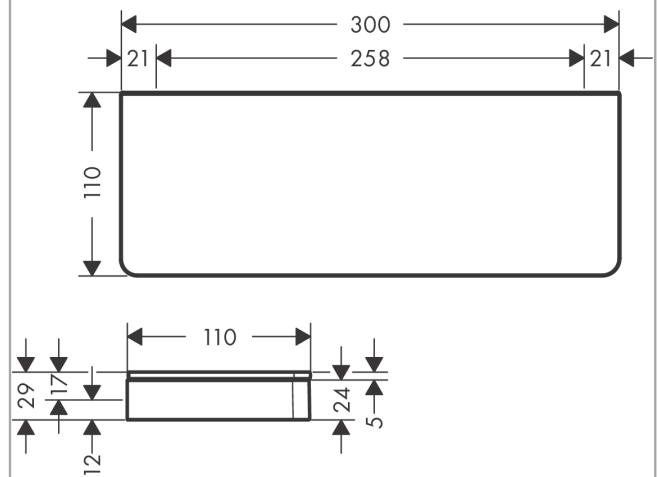
Design awards



Product image



Scale drawing



AXOR Universal Accessories

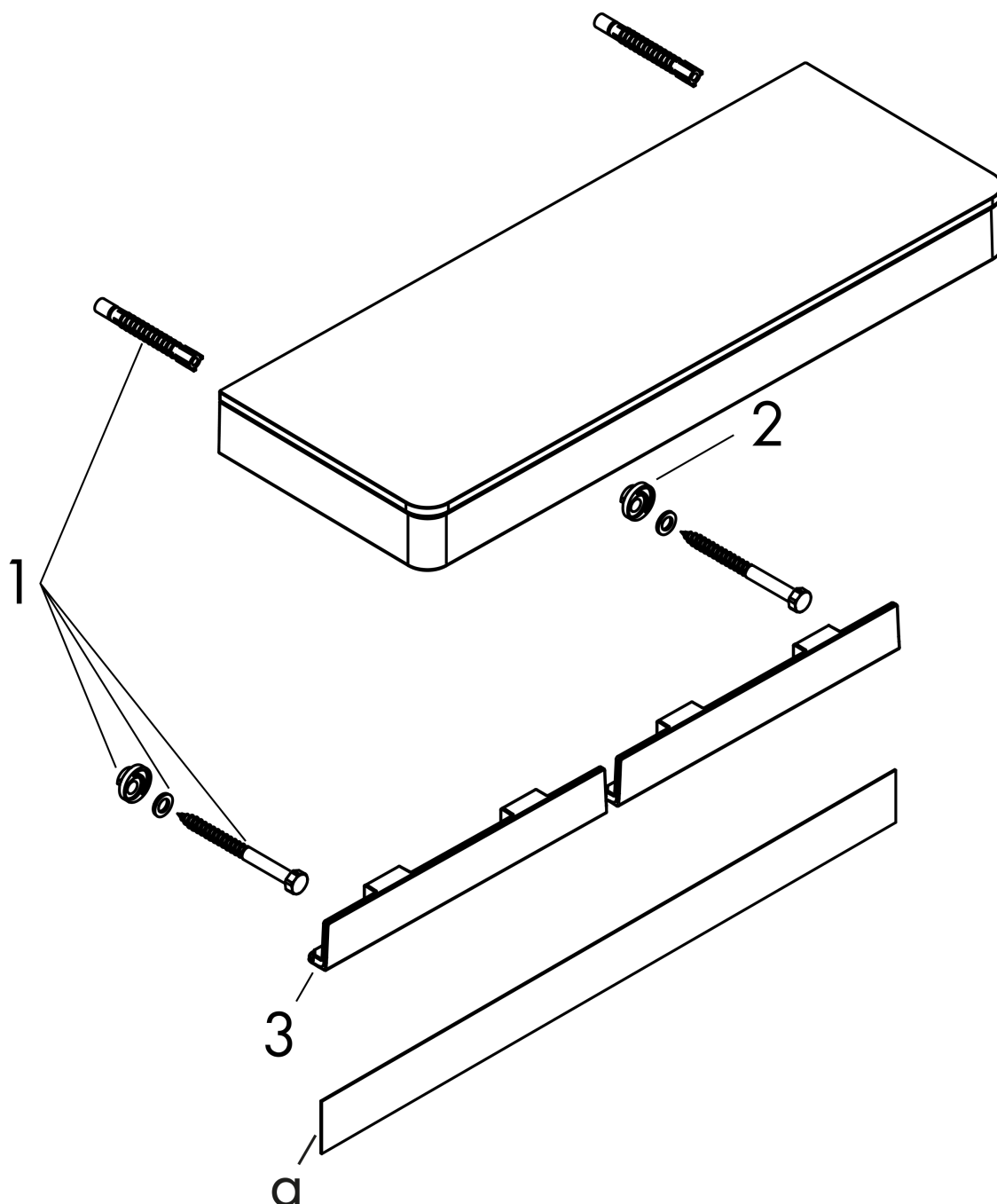
Shelf 300

Surfaces: **Stainless Steel Optic** Article Number: **42838800**



Exploded Drawing

Year of production: >11/16



AXOR Universal Accessories

Shelf 300

Surfaces: **Stainless Steel Optic** Article Number: **42838800**



Spare part list

Year of production: >11/16

Pos.	Description	Article Number	PC	PU
1	mounting set	92841000	0	1
2	excentric socket	97604000	0	1
3	cover	92427800	0	1
a	cover	42891800	0	1
b	set of adapters	42870800	0	1
c	mounting kit for two-sided glass montage	42841000	0	1