

## AXOR Citterio

**3-hole basin mixer 170 with spout 140 mm, cross handles, plate and pop-up waste set**

Surfaces: **Polished Chrome** Article Number: **39134020**



### Description

#### product features

- consists of: 3-hole basin mixer, waste set
- ComfortZone 170
- projection 140 mm
- normal spray
- flow rate at 3 bar: 5 l/min
- ceramic valves hot/ cold 180°
- suitable for continuous flow water heaters
- pop-up waste set G 1¼
- connection type: G ¾ connections
- connection dimension: DN15
- for use only at flat, plain surfaces
- SVGW 0708-5253
- DVGW NW-6501BT0602
- P-IX 18083/IO
- ACS 18 ACC NY 145, valide jusqu'au 17.05.2023
- WRAS 1806016
- WRAS 1806016
- JWWA C-501
- KCW-2018-0161\_WTM\_WSW
- STA 1426

### Technology



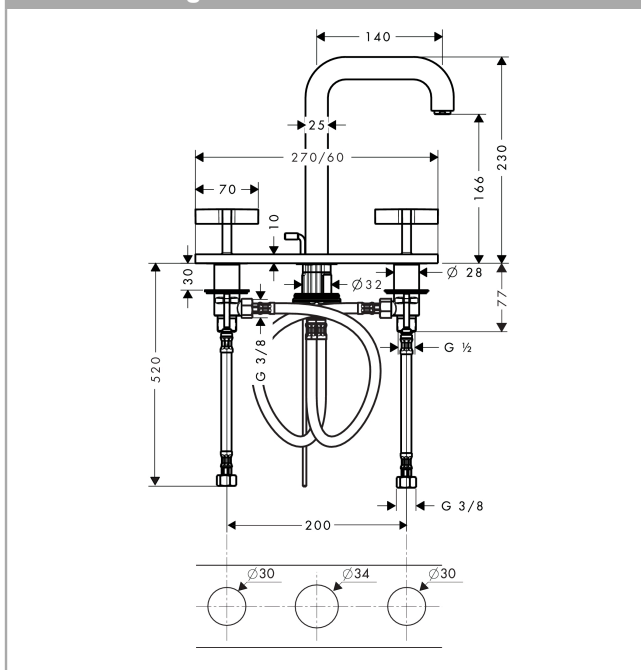
**AXOR Citterio**  
**3-hole basin mixer 170 with spout 140 mm, cross handles, plate and pop-up waste set**  
 Surfaces: **Polished Chrome** Article Number: **39134020**



## Product image



## Scale drawing



## Flowchart

