

AXOR Citterio E
Thermostatic module 120/120 for concealed installation
Surfaces: **Chrome** Article Number: **36702001**



Description

product features

- maximum flow rate at 0.3 MPa: 60.6 l/min
- thermostat cartridge
- safety lock at 40° C
- temperature limitation adjustable
- non-return valve
- with silencer
- suitable for continuous flow water heaters
- connection type: basic set
- cUPC/IAPMO/3016/ cUPC mark
- MASS/Massachusetts

Product image

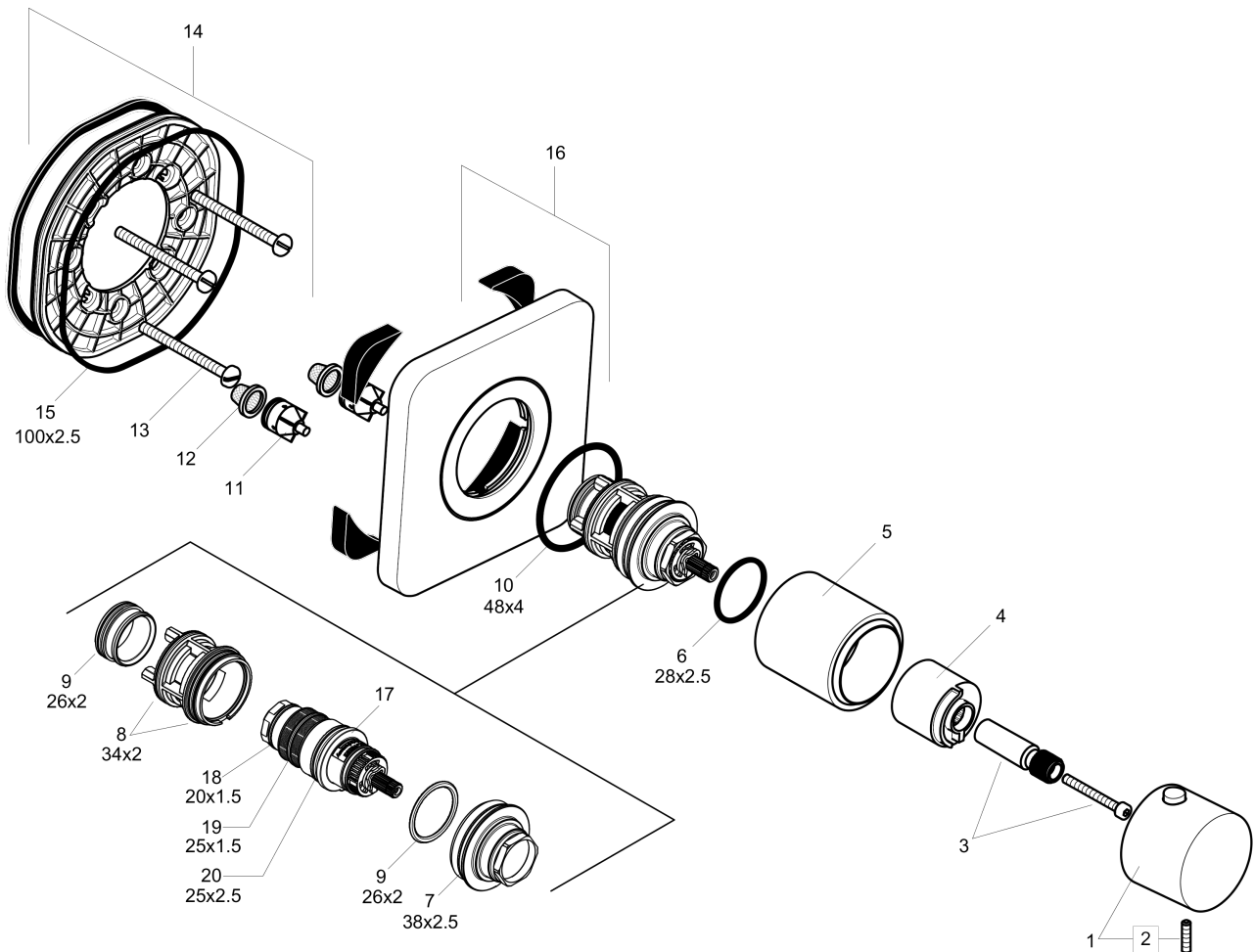


AXOR Citterio E
Thermostatic module 120/120 for concealed installation
 Surfaces: **Chrome** Article Number: **36702001**



Exploded Drawing

Year of production: >10/16



AXOR Citterio E
Thermostatic module 120/120 for concealed installation
 Surfaces: **Chrome** Article Number: **36702001**



Spare part list

Year of production: >10/16

Pos.	Description	Article Number	PC	PU
1	handle for thermostat	92534000	0	1
2	hollow set screw M4x16	97663000	0	1
3	adapter for handle	98701000	0	1
4	safety set for temperature control	97334000	0	1
5	sleeve	95331000	0	1
6	O-ring 28x2,5	98209000	0	1
7	O-ring 38x2,5	98198000	0	1
8	O-ring 34x2	98383000	0	1
9	O-ring 26x2	98147000	0	1
10	O-ring 48x4	98414000	0	1
11	set of non return valves DW 15	97350000	0	1
12	filter	97973000	0	1
13	set of fixing screws	96454000	0	1
14	sub plate	95450000	0	1
15	O-ring 100x2,5	98417000	0	1
16	escutcheon	92506000	0	1
17	thermostat cartridge	98282000	0	1
18	O-ring 20x1,5	98197000	0	1
19	O-ring 25x1,5	98146000	0	1
20	O-ring 25x2,5	92146000	0	1
a	base body	10754181	0	1
b	extension 25 mm	10790000	0	1