

AXOR Montreux
Shut-off/ diverter valve Trio/ Quattro for concealed installation with cross handle
Surfaces: **Brushed Nickel** Article Number: **16830820**



Description

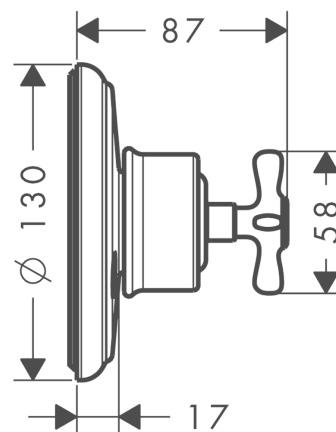
product features

- SVGW 0904-5541

Product image



Scale drawing

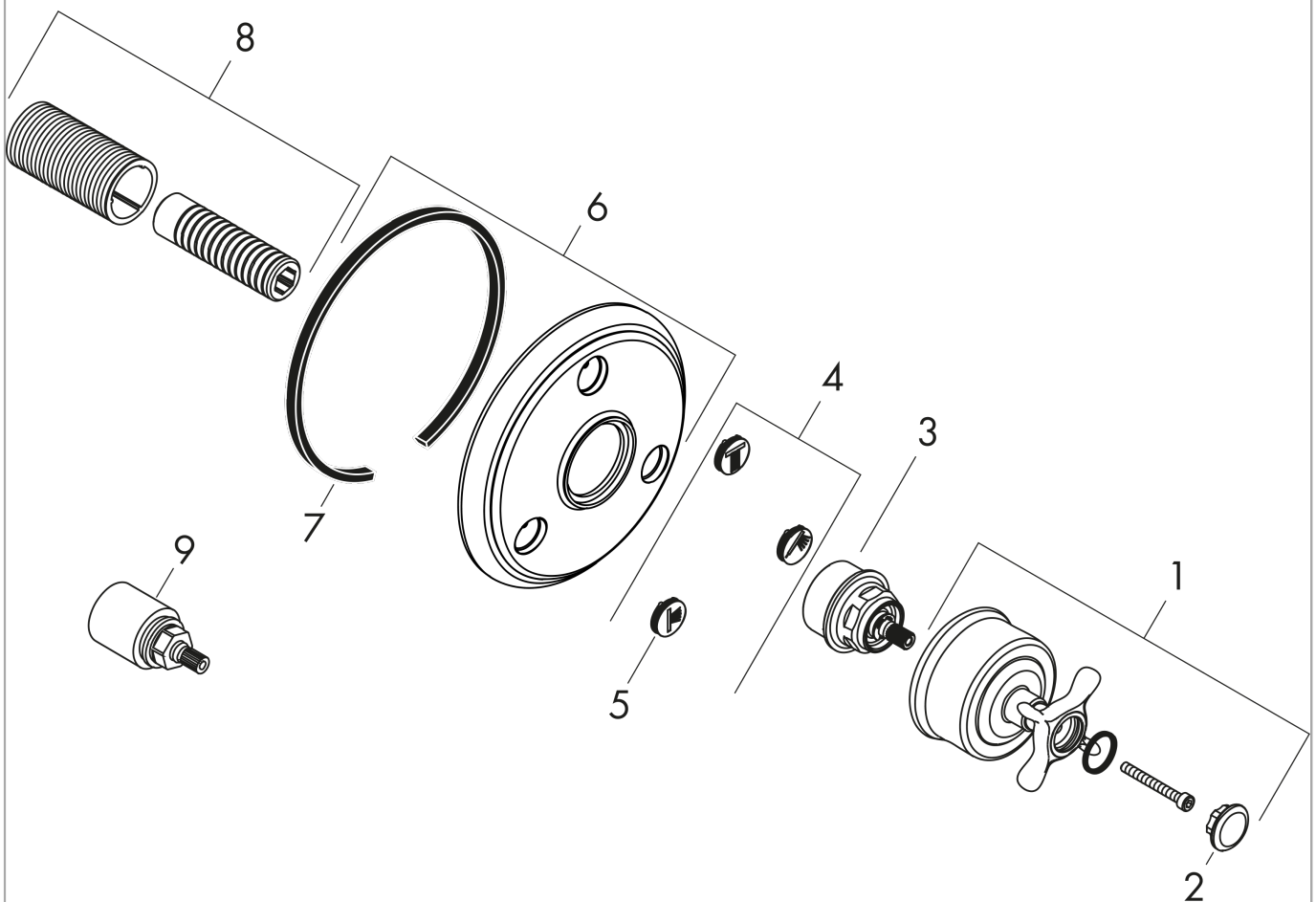


AXOR Montreux
Shut-off/ diverter valve Trio/ Quattro for concealed installation with cross handle
Surfaces: **Brushed Nickel** Article Number: **16830820**



Exploded Drawing

Year of production: 07/17 - 12/17



AXOR Montreux
Shut-off/ diverter valve Trio/ Quattro for concealed installation with cross handle
 Surfaces: **Brushed Nickel** Article Number: **16830820**



Spare part list

Year of production: 07/17 - 12/17

Pos.	Description	Article Number	PC	PU
1	handle	16593820	0	1
2	set of screw covers, cold / hot water / neutral	97987000	0	1
3	nut	98677000	0	1
4	set of symbols	95238820	0	1
5	O-ring 13x2	98128000	0	1
6	escutcheon	98669820	0	1
7	fixing set	96392000	0	1
8	seal	97737000	0	1
9	extension 25 mm	96370000	0	1
a	concealed item	15981180	0	1
b	concealed item	15930180	0	1